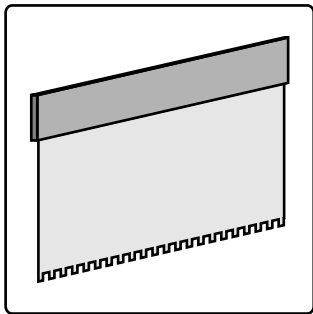


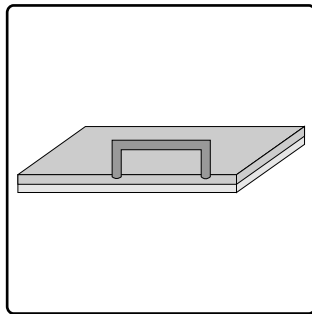
HOW TO INSTAL

We has a standard for selecting material mosaic to puzzled in molding process.
Our Mosaic produced flooring with a manual by hand (pieces by pieces) and we are use environment friendly without reducing the strength of our products.

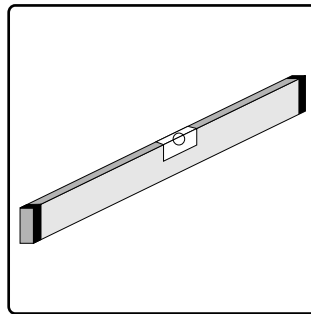
Tools



A



B



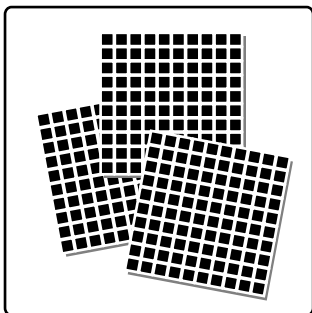
C

Although for the grouting process the grout is generally mixed with water,

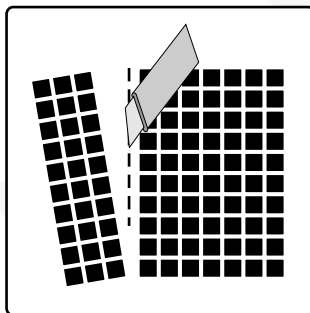
we strongly recommend the use of acrylic or latex solutions to prevent cracking.

To wipe and clean the grouts from tiles we suggest the use of stiff whisks brushes, soft brushes and soft sponges or flannels.

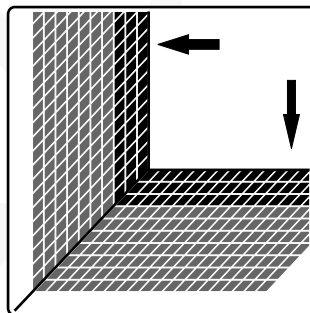
Preparation



1



2

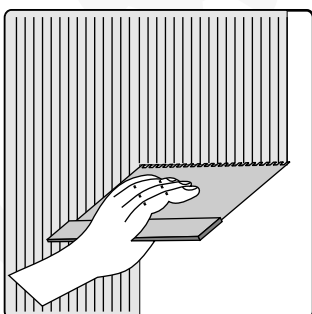


3

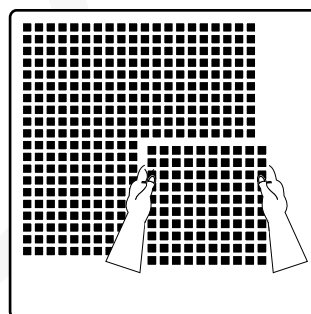
Remove any dirt that may be attached to the mosaics before installing.

As for the use of adhesive components we suggest the use of a product that is suitable for your project.

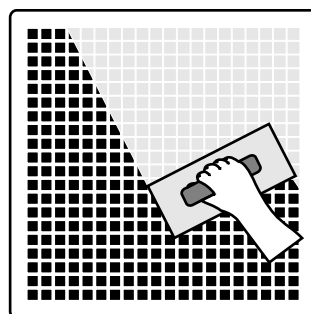
Instalation



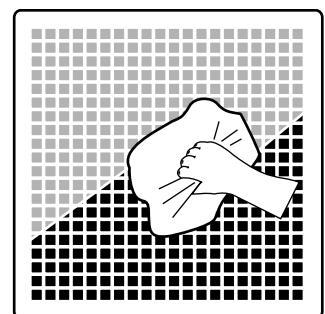
4



5



6



7

Using both hands, take a mosaic tile by two opposite sides, keep in mind the tile may fold if held by one side only.
Spread adhesive evenly above and thinly onto the flat surface.

For bathrooms, toilets and others we suggest the use of cements that contains silicone (instant cement).

Lay and connect the mosaic tile, be sure each tile is well connected after it is placed.

For best results, be sure that glue or adhesive used is perfectly dried before grouting.

Interlocking mosaic tiles are designed to create a whole look environment, in other words, a uniform surface.

Our mosaic tiles consist of rough polished natural stones and teak wood that are glued onto a mesh.

Let it dry completely before applying the seal.

Apply a seal with a quality clear doff so the marble true colors can show.